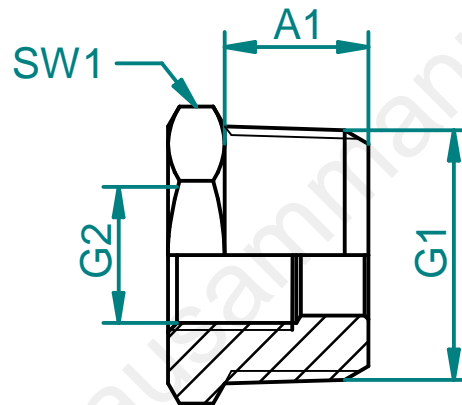


General tolerances ISO 2768-m						Index	Date	Visum	Modification	Index	Date	Visum	Modification
Basic-size	...6	> 6 ...30	> 30 ...120	>120 ...400	> 400 ...1000								
medium	±0.1	±0.2	±0.3	±0.5	±0.8								



www.hausammann.com

Specifications points D,K,H	
D= doc.points	
K= critical	
H= main	

		Material:				
		Messing blank				
		Scale				
		1:1				
				Date	Visum	Phone
		plotted		15.04.11	E.Z	
		checked				
		38.596		Format	Index	
		Solid Edge		A4	00	
Accord-draw.no.:	Origin-draw.no.:					
Replacement for:						
© 2010, Für dieses Dokument behalten wir uns alle Rechte vor.		© 2 010, Nous nous reservons tous les droits sur ce document		© 2 010, We reserve all rights in connection with this document		